

# **BASKET STRAINER**



## **Pipeline filtration Unit**

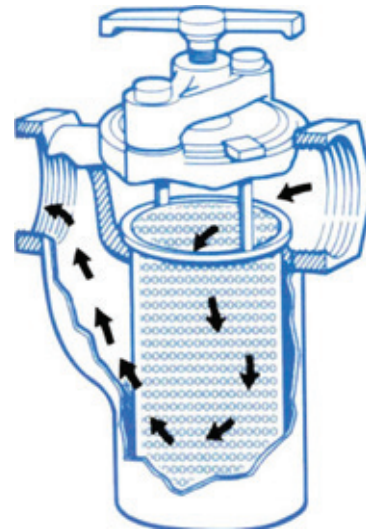
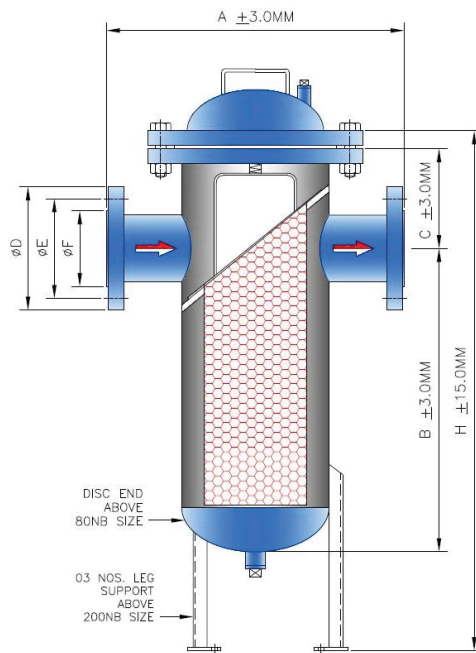
Basket Filters : Simplex & Duplex

We provide standard size strainer unit for various trending applications in cast, fabricated construction.

# Simplex strainer

COVET offers Simplex Basket Filters are available in both Cast and Fabricated construction in inline and offset connections with flat bottoms or dish end as shell bottom. Each one of these filters are individually designed based on free flow area and pressure drop allowance values as required for the application. These can be supplied with wedge wire elements or perforated sheet and wire mesh as filtration media.

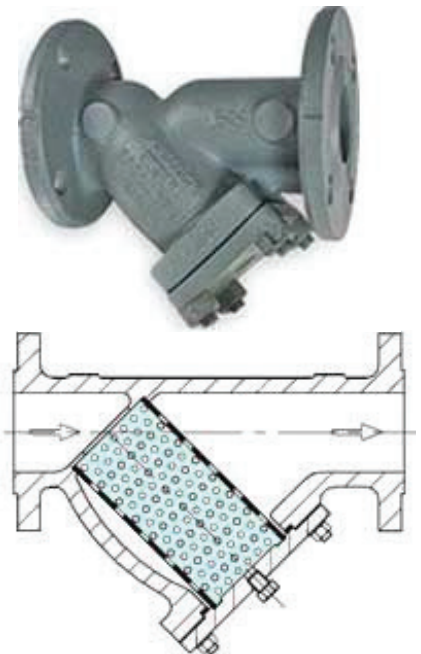
This filter is generally use for separation of foreign particles without disturbing a flow.



## Y-Type Strainer

This product is designed for remove foreign matter from pipe lines and provides protection for pumps, meters, valves, and other similar mechanical equipment, which is called as Strainer. "Y" Type Strainers are named after their shape and normally used for coarse filtration. But with large filtration area can be used with fine mesh also. The Strainer improves the clearance in the medium, and prolongs the life of valves; protect expensive pumps, meters and other equipment's. It is suitable for water, Air, Gas, petroleum, steam and other fluids.

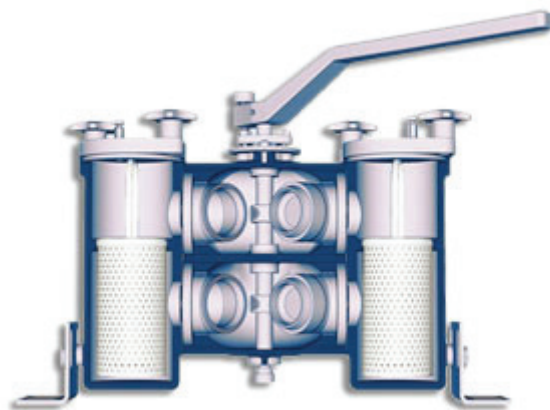
A Y-strainer can be installed in either a horizontal or vertical position (Downward flow) with the screen element pointing downward. This allows the strainer screen to collect material in the strainer at the lowest point of the screen.



Diagram

# Duplex Strainer

Duplex Basket Filters are available with twin 3-way valve, sliding gate valve, butterfly valve, 6-way cam type valve, multi basket with common header designs with options of manual changeover of valve, automatic changeover of valve, manual backwash of filters and automatic backwash of filters. Each one of these filters are individually designed based on free flow area and pressure drop allowance values as required for the application also available in cast constructions. These can be supplied with wedge wire elements or perforated sheet and wire mesh as filtration media.



Diagram

## Advantages:

- Superior filtration area
- Can be custom built
- Continuous usage during basket change-out
- Debris collects away from the process stream

## Disadvantages:

- Higher cost
- Significant size and weight
- Requires maintenance personnel (not preferred for unmaned or limited access facility)

## FBS1 SERIES FABRICATED BASKET STRAINERS

### SPECIFICATION

Strainer shall be designed and manufactured to meet ASME B31.1, ASME B31.3 or ASME B31.4 and/or ASME Section VIII Div. I. The Strainer body shall be fabricated steel or other specified material and inlet/outlet connections shall be in line. The Strainer shall have a single basket with a slant top. The Strainer shall have a bottom blowdown outlet. The screen shall be size \_\_\_\_ perforated stainless steel. The Strainer shall have an inlet size of \_\_\_\_ and open area ratio of \_\_\_\_\_. The Basket Strainer shall be SSI FB \_\_\_\_\_.

### MATERIALS OF CONSTRUCTION (Carbon Steel Shown†)

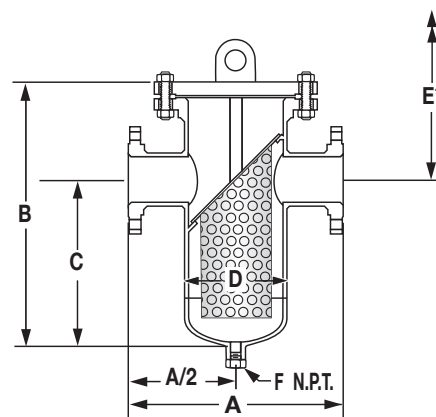
Body .....	IS206 / ASTM A-106or A106-B
Nozzles .....	IS206 / ASTM A-106or A106-B
Flanges .....	MSIS2062/SA105
Heads .....	SA234-WPB or SA516-70
Reinforcement Pads <sup>2</sup> .....	IS2062/SA516-70
Couplings .....	SA105
Plug .....	SA105
Basket <sup>1</sup> .....	SS316/304 SS
Gasket <sup>1</sup> .....	304 SS Spiral Wound
Stud.....	SA193-B7
Nut .....	SA194-2H

† Other Materials Available. Consult factory.

1. Recommended Spare Parts.

2. When required.

Material specification will change when NACE MR01-75 is specified.



Standard cover is bolted.  
Cover lifting lug standard on 10" sizes and larger.  
Class 150# and 300# flanges are standard.  
Class 600# and higher available on request.  
\*Distance required for basket removal.

Connections\*: 2" – 24"  
RF, FF or Buttweld

For Buttweld connection please specify mating pipe schedule.

### SCREEN OPENINGS

SIZE	STANDARD SCREEN	MATERIALS
2" – 12"	1/8 Perf.	SS309
14" – 24"	3/16 Perf.	SS396

**DIMENSIONS** inches (mm) **AND WEIGHTS** pounds (kg)

150# and 300# Class Flanges shown

Inlet/ Outlet	Body	A		B		C		D	E		F	Weight			
		Class	Class	Class	Class	Class	Class		Class 150	Class 300					
		150	300	150	300	150	300			Cover <sup>1</sup>		Unit	Cover <sup>1</sup>	Unit	
2 (50)	6 (150)	12 (305)	147/8 (378)	185/8 (473)	22 (559)	11 1/8 (283)	12 (305)	65/8 (168)	25 (635)	28 (711)	1/2 (15)	26 (12)	85 (39)	50 (23)	195 (88)
3 (80)	8 (200)	14 (356)	16 1/2 (419)	20 1/2 (521)	25 (635)	12 1/2 (318)	15 3/4 (400)	8 5/8 (219)	28 1/2 (724)	34 1/4 (870)	3/4 (20)	45 (20)	140 (64)	81 (37)	250 (113)
4 (100)	8 (200)	16 (406)	18 5/8 (473)	22 1/4 (565)	26 (660)	14 (356)	15 7/8 (403)	8 5/8 (219)	30 1/2 (775)	36 1/8 (918)	1 (25)	45 (20)	145 (66)	81 (37)	300 (136)
5 (125)	10 (250)	18 (457)	20 1/4 (514)	24 1/4 (616)	28 (711)	17 (432)	17 1/8 (435)	10 3/4 (273)	30 1/2 (775)	38 7/8 (988)	1 (25)	70 (32)	160 (73)	125 (57)	400 (181)
6 (150)	10 (250)	20 (508)	24 1/2 (622)	27 (686)	30 3/4 (781)	17 (432)	19 1/8 (486)	10 3/4 (273)	36 (914)	42 3/8 (1076)	1 (25)	70 (32)	205 (93)	125 (57)	480 (218)
8 (200)	12 (300)	22 (559)	24 7/8 (632)	32 (813)	35 1/2 (902)	21 (533)	22 (559)	12 3/4 (324)	43 (1092)	55 3/4 (1416)	1 1/2 (40)	110 (50)	420 (191)	185 (84)	681 (309)
10 (250)	16 (400)	32 (813)	35 3/8 (899)	41 1/2 (1054)	42 1/2 (1080)	25 (635)	27 1/4 (692)	16 (406)	58 (1473)	57 1/4 (1454)	1 1/2 (40)	180 (82)	650 (295)	295 (134)	1100 (499)
12 (300)	18 (450)	35 (889)	39 3/8 (1000)	44 3/4 (1137)	47 3/4 (1213)	28 (711)	30 3/8 (772)	18 (457)	61 1/2 (1562)	65 1/8 (1654)	1 1/2 (40)	220 (100)	1205 (547)	395 (179)	1650 (748)
14 (350)	20 (500)	37 (940)	41 1/2 (1054)	48 3/4 (1238)	49 5/8 (1260)	33 (838)	33 (838)	20 (508)	64 1/2 (1638)	72 (1829)	2 (50)	285 (129)	1600 (726)	505 (229)	2600 (1179)
16 (400)	24 (600)	42 (1067)	47 1/2 (1207)	54 1/4 (1378)	60 (1524)	36 (914)	38 7/8 (988)	24 (610)	72 1/2 (1842)	81 1/8 (2061)	2 (50)	430 (195)	1965 (891)	790 (358)	2750 (1247)
18 (450)	24 (600)	46.5 (1181)	*	60 (1524)	*	40 (1016)	*	24 (610)	80 (2032)	*	2 (50)	430 (195)	2200 (998)	*	*
20 (500)	30 (750)	52 (1321)	*	68 (1727)	*	46 (1168)	*	30 (762)	90 (2286)	*	2 (50)	965 (438)	3200 (1452)	*	*
24 (600)	36 (900)	64 (1626)	*	82 3/4 (2102)	*	55 (1397)	*	36 (914)	110 1/2 (2807)	*	2 (50)	1540 (699)	4500 (2041)	*	*

Dimensions shown are for reference only. Consult factory for certified prints when required.

\* Consult factory.

1. Weight and dimension with Bolted Cover.



*Covet Water*

**COVET WATER SOLUTION PVT. LTD.**

Shanti Tower, A-403, Plot no 272, Sector -5, Opp. Dena Bank,  
Charkop, Kandivali West, Mumbai 400067.

Contact us: +91 7304822762 / 7304822764 | Email : covetwater@gmail.com